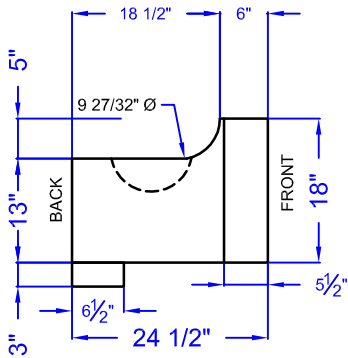
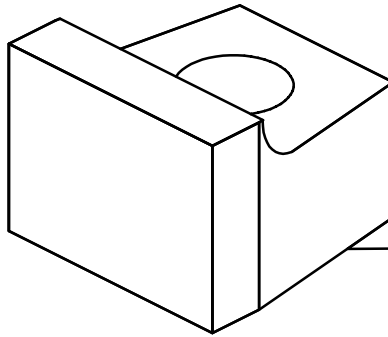


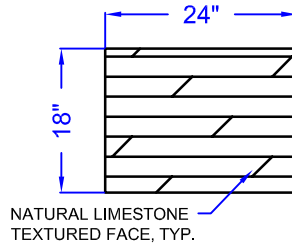
# HALF BLOCK - CENTER - TOP

APPROXIMATE VOLUME: 4.6 CF

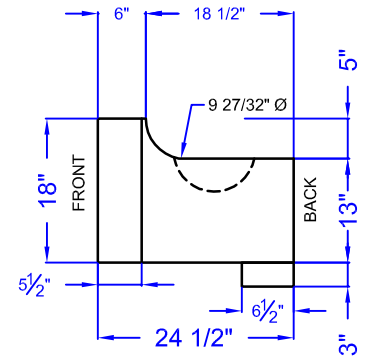
APPROXIMATE WEIGHT: 645 LB



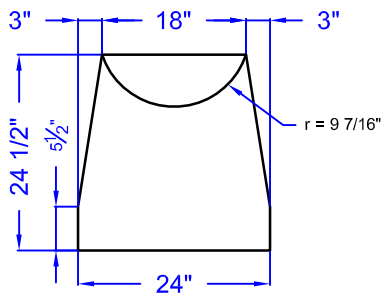
LEFT END VIEW



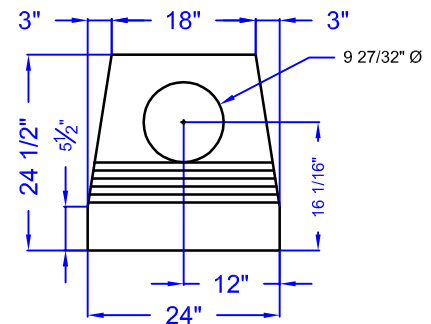
FRONT VIEW



RIGHT END VIEW



BOTTOM VIEW



TOP VIEW