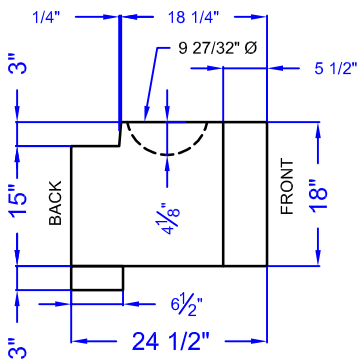
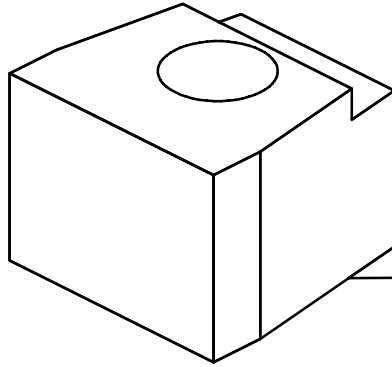


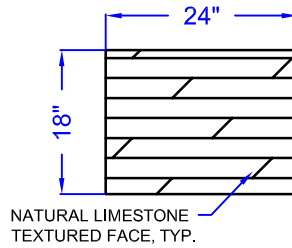
HALF BLOCK - CENTER - MIDDLE

APPROXIMATE VOLUME: 5.2 CF

APPROXIMATE WEIGHT: 730 LB

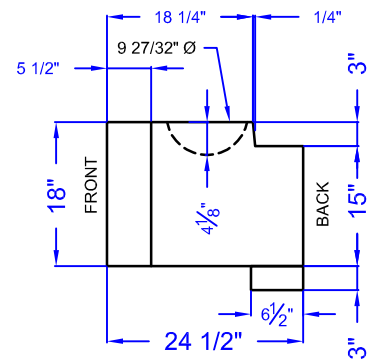


LEFT END VIEW

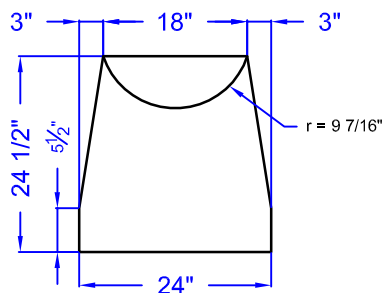


NATURAL LIMESTONE
TEXTURED FACE, TYP.

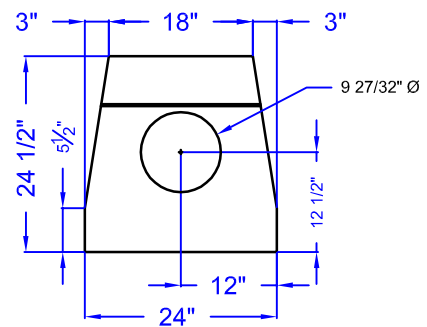
FRONT VIEW



RIGHT END VIEW



BOTTOM VIEW



TOP VIEW