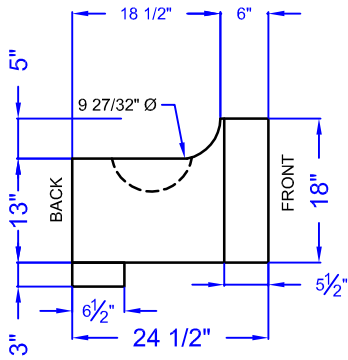
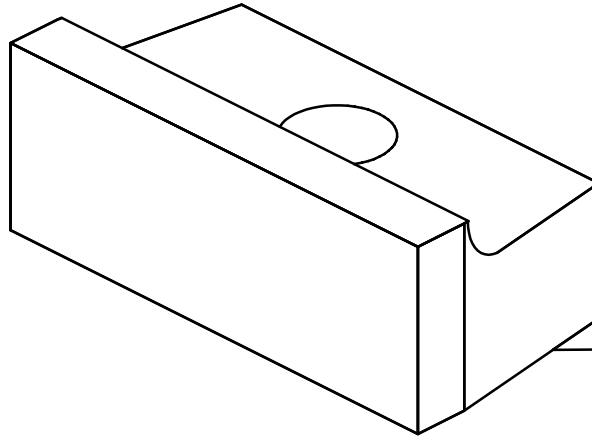
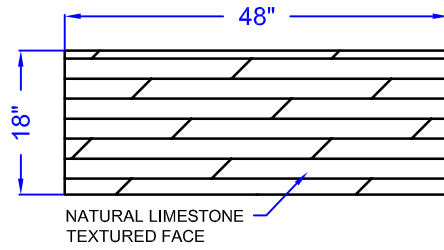


FULL BLOCK - CENTER - TOP

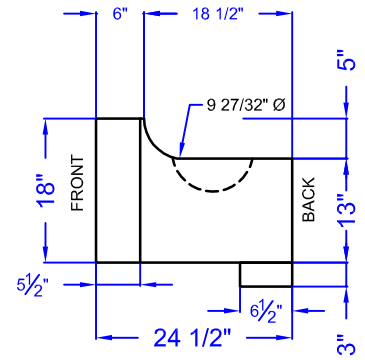
APPROXIMATE VOLUME: 9.8 CF
APPROXIMATE WEIGHT: 1370 LB



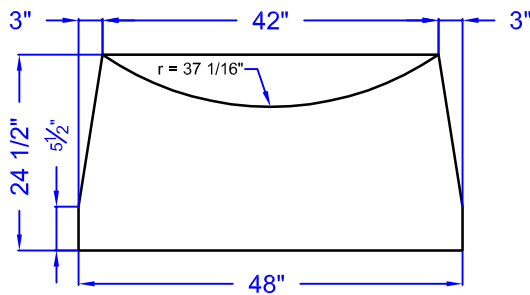
LEFT END VIEW



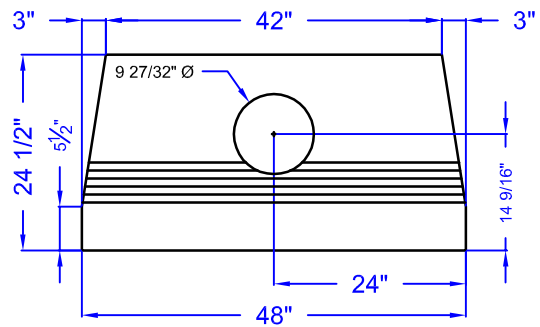
FRONT VIEW



RIGHT END VIEW



BOTTOM VIEW



TOP VIEW