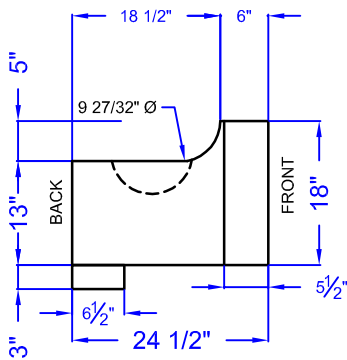
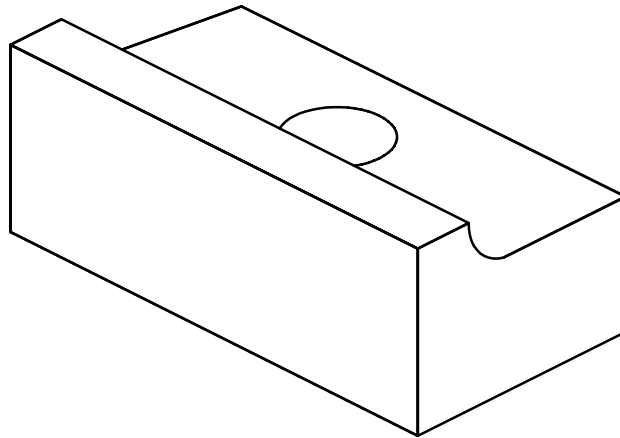


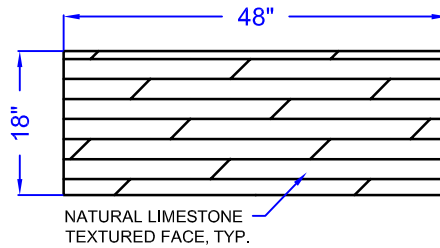
FULL BLOCK - RIGHT END - TOP

APPROXIMATE VOLUME: 10.1 CF

APPROXIMATE WEIGHT: 1415 LB

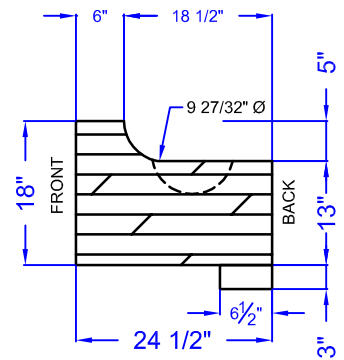


LEFT END VIEW

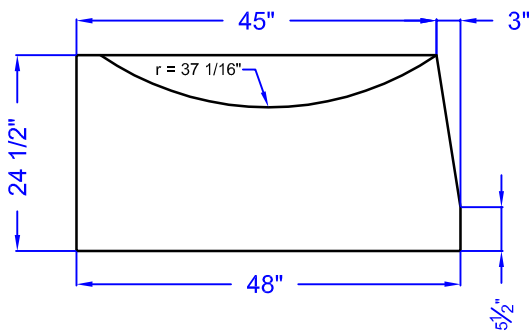


NATURAL LIMESTONE
TEXTURED FACE, TYP.

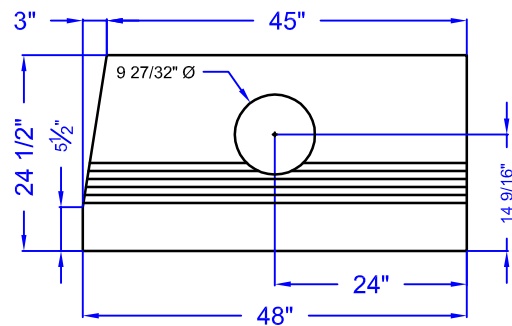
FRONT VIEW



RIGHT END VIEW



BOTTOM VIEW



TOP VIEW