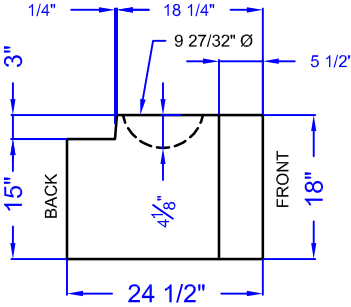
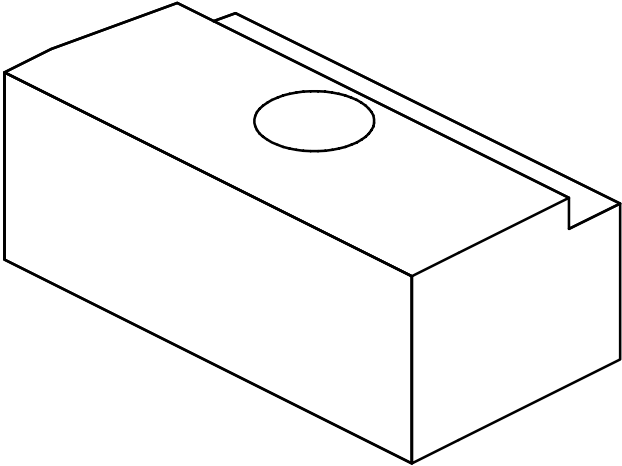
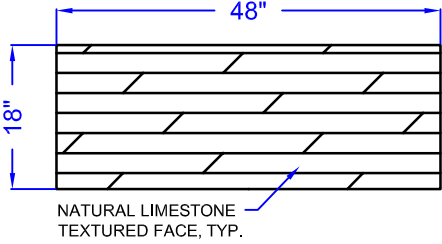


FULL BLOCK - RIGHT END - BOTTOM

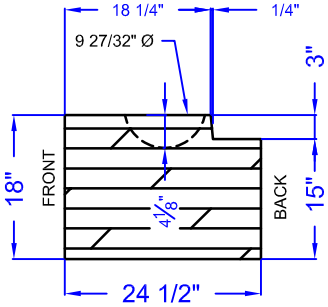
APPROXIMATE VOLUME: 11.3 CF
 APPROXIMATE WEIGHT: 1580 LB



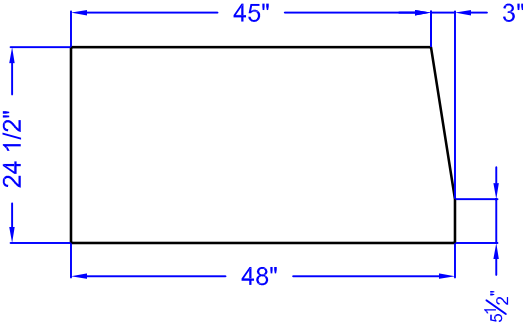
LEFT END VIEW



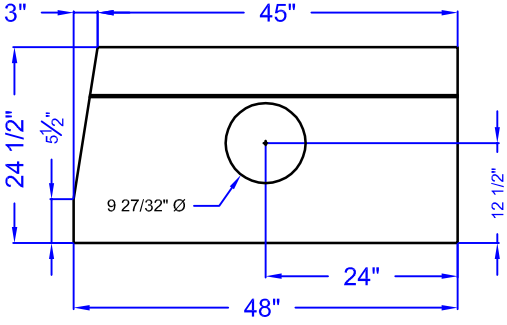
FRONT VIEW



RIGHT END VIEW



BOTTOM VIEW



TOP VIEW